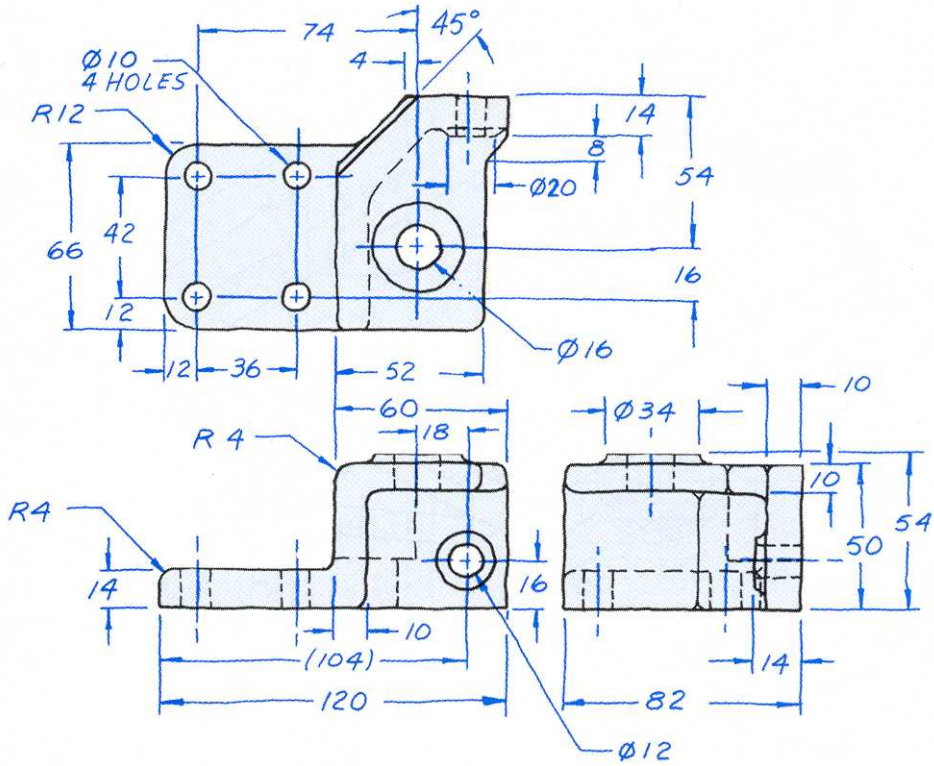


**Problem 23.12** Draw and detail the part.



**Problem 23.13** Draw and detail the master connecting rod.

