

Angles and Angle Measure

Convert each degree measure into radians and each radian measure into degrees.

1) $325^\circ \rightarrow \frac{65\pi}{36}$

2) $60^\circ \rightarrow \frac{\pi}{3}$

3) $-\frac{4\pi}{3}$

-240°

4) $\frac{23\pi}{12}$

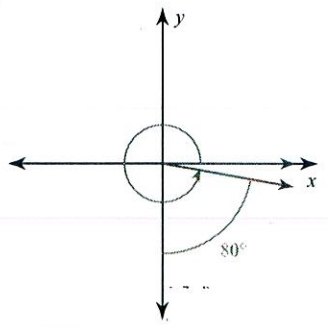
345°

5) $570^\circ \rightarrow \frac{19\pi}{6}$

6) $-315^\circ \rightarrow -\frac{7\pi}{4}$

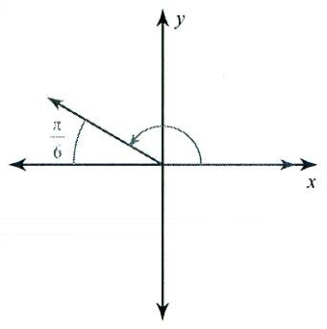
Find the measure of each angle.

11)



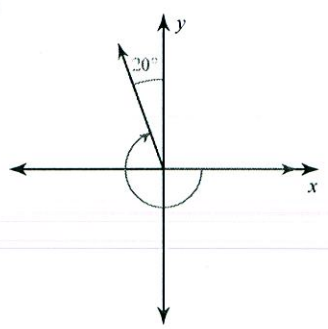
350°

12)



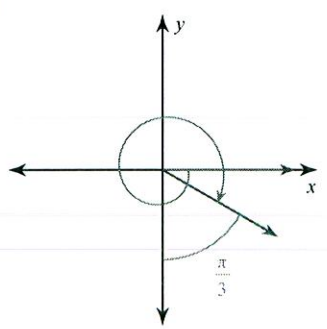
$\frac{5\pi}{6}$

13)

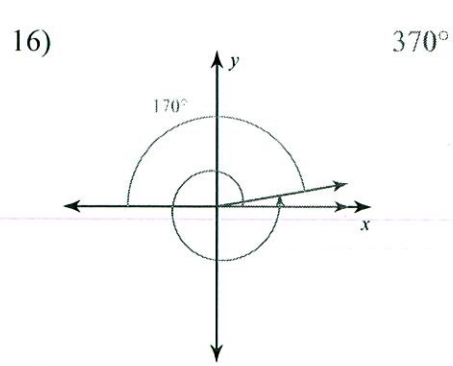
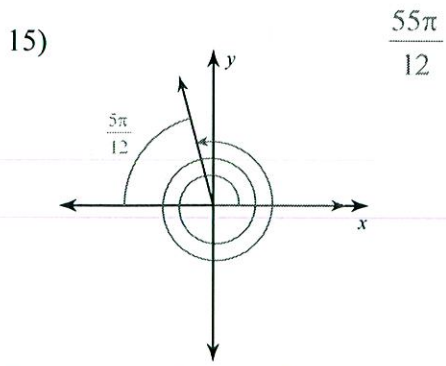


-250°

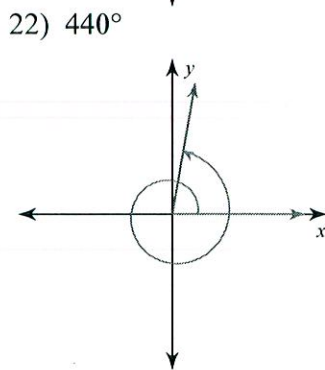
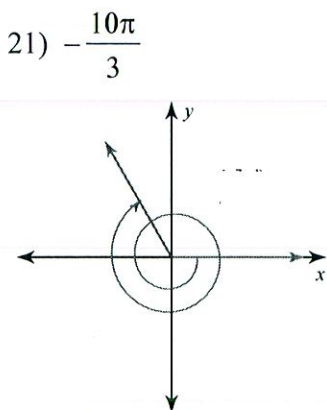
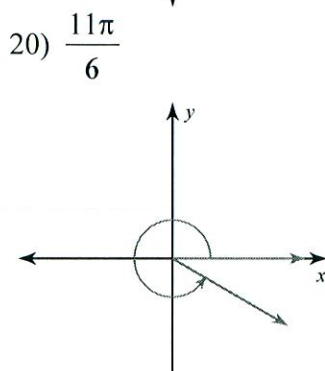
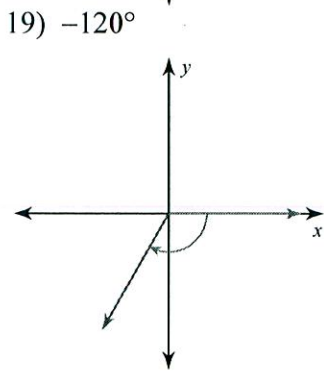
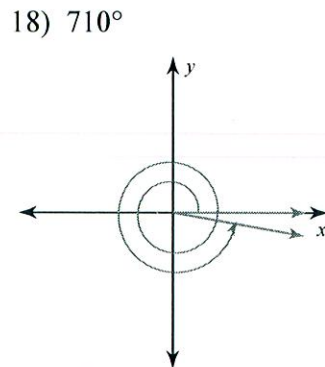
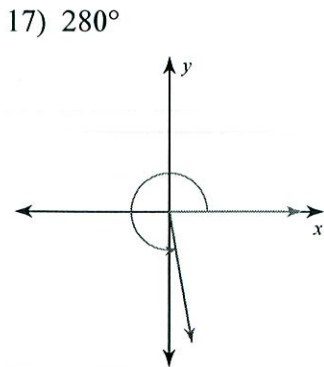
14)



$\frac{13\pi}{6}$



Draw an angle with the given measure in standard position.



State the quadrant in which the terminal side of each angle lies.

23) -509° III

24) $-\frac{5\pi}{6}$ III