

7.4 B

Name : _____

Teacher : _____ Date : _____

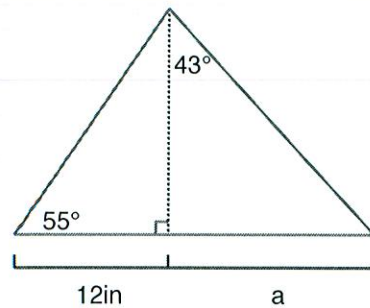
Multi-Step Problems

Find the variable side. Round the intermediate and final values to the nearest tenth.

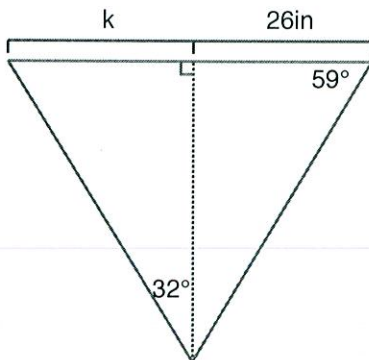
1) $u = \underline{\hspace{2cm}}$ ft



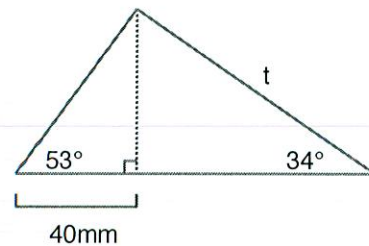
2) $a = \underline{\hspace{2cm}}$ in



3) $k = \underline{\hspace{2cm}}$ in



4) $t = \underline{\hspace{2cm}}$ mm



Find the area of each triangle. Round the intermediate and final values to the nearest tenth.

5) Area = $\underline{\hspace{2cm}}$ yd^2



6) Area = $\underline{\hspace{2cm}}$ cm^2

