

Name : _____

Teacher : _____ Date : _____

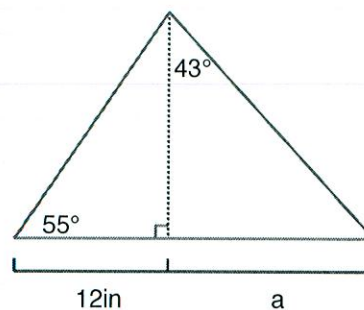
Multi-Step Problems

Find the variable side. Round the intermediate and final values to the nearest tenth.

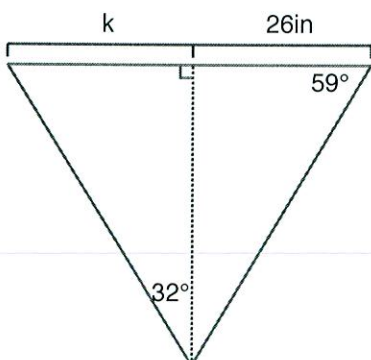
1) $u = \underline{74.9}$ ft



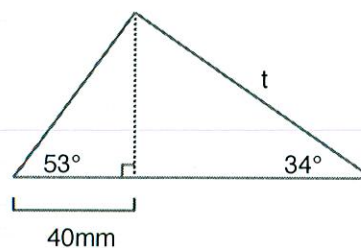
2) $a = \underline{16.0}$ in



3) $k = \underline{27.0}$ in



4) $t = \underline{94.9}$ mm



Find the area of each triangle. Round the intermediate and final values to the nearest tenth.

5) Area = $\underline{297.0}$ yd²



6) Area = $\underline{67.4}$ cm²

